



APRIL 8 - APRIL 11, 2019
LAKE TAHOE, NEVADA

NEVADA RECREATION & PARK ANNUAL CONFERENCE



MONTBLEU RESORT CASINO & SPA

MONTBLEURESORT.COM



HOTEL ROOM BLOCK CODE: STNRPS9



55 HIGHWAY 50
STATELINE, NV 89449



(775) 588-3515



MONTBLEURESORT.COM
QUESTIONS@MONTBLEURESORT.COM



WE INVITE YOU TO EXHIBIT

2019 NRPS CONFERENCE



YOUR BOOTH FEE INCLUDES:

- 6' TABLE, WITH STANDARD TABLE CLOTH
- TWO CHAIRS
- 3-MINUTE QUICK SIT PRESENTATION
- NAME BADGE
- WELCOMING RECEPTION (*MONDAY EVENING*)
- 2 DAYS OF GENERAL EDUCATION SESSIONS
- KEYNOTE SESSION
- 2 CONTINENTAL BREAKFASTS
- EXHIBITOR LUNCH (*TUESDAY*) & LUNCH (*WEDNESDAY*)
- VENDOR SOCIAL (*TUESDAY*)
- AWARDS DINNER & SOCIAL
- LOGO IN CONFERENCE PROGRAM & WEBSITE
- ATTENDEE LIST

ENJOY THE PERKS OF EXHIBITING WITH US!

- NETWORK WITH PARKS AND RECREATION PROFESSIONALS
- CONTACT POTENTIAL CUSTOMERS WITH PURCHASING POWER
- PROMOTE NEW PRODUCTS AND SERVICES
- ATTEND ANY OF THE EDUCATIONAL SESSIONS BEING OFFERED
- COMPANY LISTING ON NRPS WEBSITE (*WWW.NRPS.ORG*)

REGISTER TODAY AT:
WWW.NRPS.ORG



BOOTH PRICING OPTIONS

2019 NRPS CONFERENCE



REGISTER NOW, LIMITED SPACES AVAILABLE
FREE WIFI WILL BE PROVIDED. POWER IS \$25 PER DAY.

NEVADA STATE PACKAGE

\$450.00

NRPS COMMERCIAL MEMBER

\$525.00

NON-NRPS COMMERCIAL MEMBER

INCLUDES:

- VENDOR BOOTH
- 3 MINUTE QUICK SIT
- CONFERENCE SESSIONS
- CONTINENTAL BREAKFAST, LUNCHES & DINNER
- SOCIAL PASSES

SAGEBRUSH PACKAGE

\$325.00


NON-PROFIT

INCLUDES:

- VENDOR BOOTH
- 3 MINUTE QUICK SIT
- CONFERENCE SESSIONS
- CONTINENTAL BREAKFAST, LUNCHES & DINNER
- SOCIAL PASSES

REGISTER BETWEEN 12/3/18-3/25/19

FOR INQUIRES CONTACT JAIME SCHROEDER

 (775) 348-3915

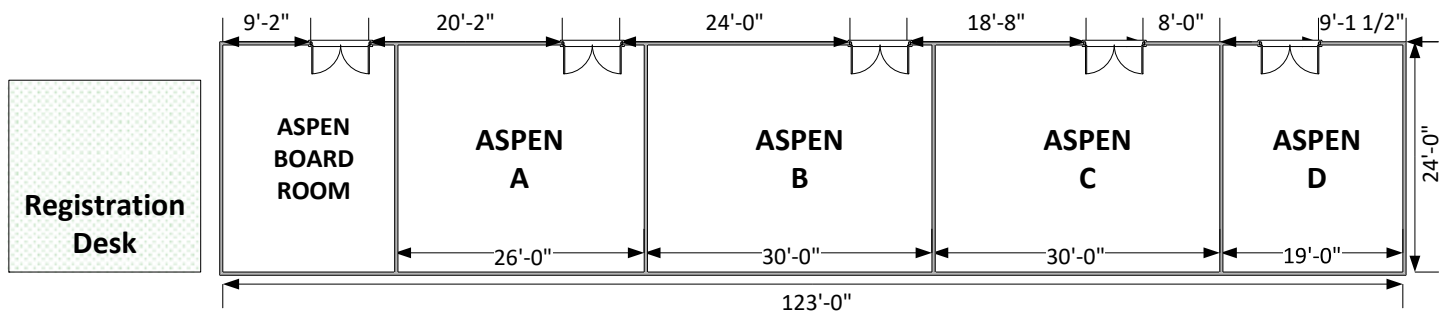
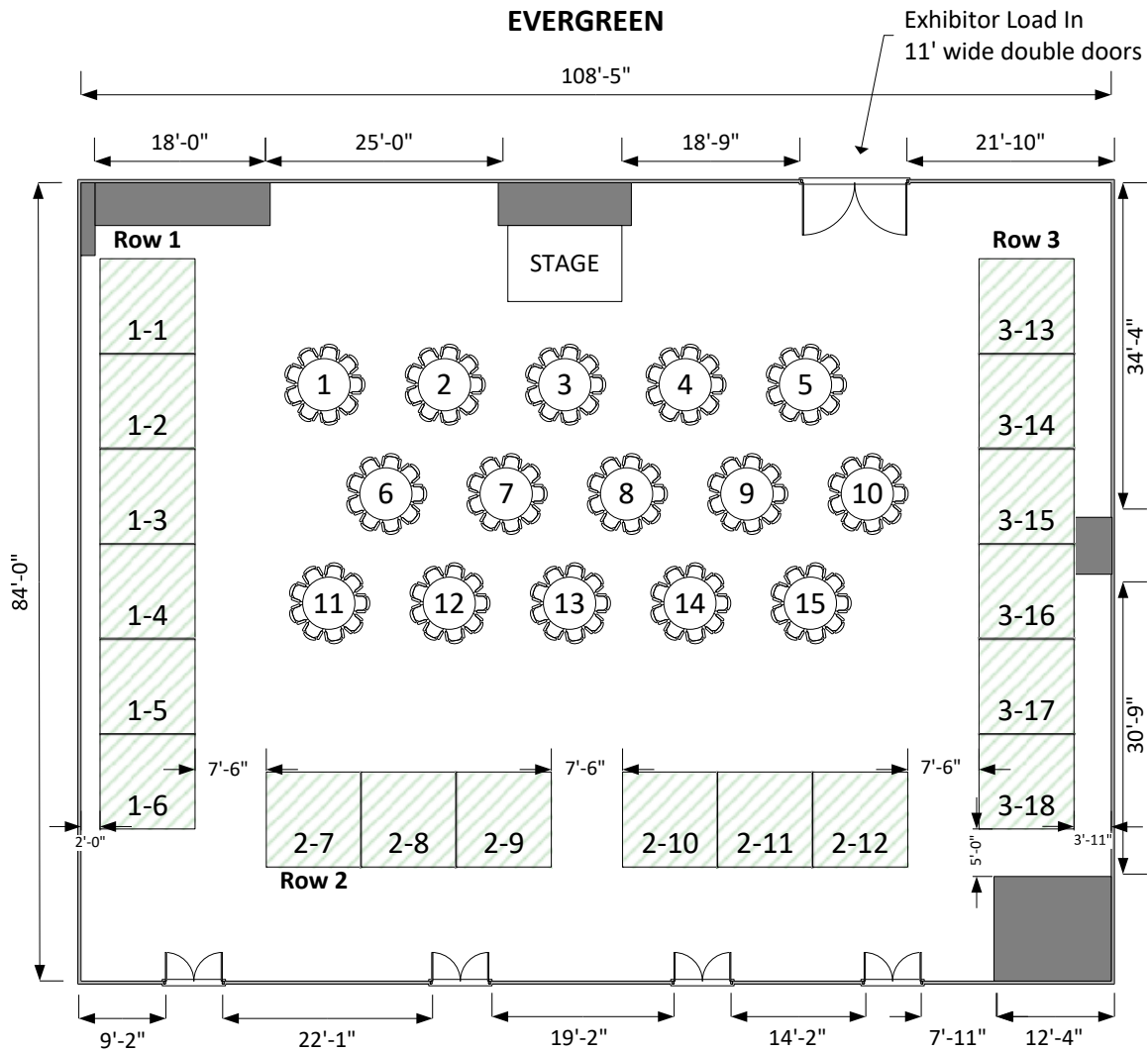


SCHROEDERJ@RENO.GOV



CONFERENCE SET UP

2019 NRPS CONFERENCE



EXHIBITOR BOOTH IS 10x10'
6' TABLE W/ DRAPE, 2 CHAIRS & 1 GARBAGE CAN



CONFERENCE SPONSORSHIP OPPORTUNITIES

2019 NRPS CONFERENCE

AWARD SPONSORSHIP - \$3,000

- ALL AWARDS DISPLAYED WITH COMPANY LOGO
- COMES WITH “HOSTED BY” INFORMATION IN ALL PROGRAM BROCHURES AND ONLINE
- A 5-MINUTE BUSINESS INTRO AND THANK YOU AT AWARDS AND GENERAL SESSION
- WILL PRESENT THE TOP AWARD AND PRIME LOCATION EXHIBITOR BOOTH

CONFERENCE BAG SPONSORSHIP - \$2,000

- COMPANY LOGO WILL BE FEATURED ON CONFERENCE BAGS
- INFORMATION MATERIALS PROVIDED BY THE COMPANY WILL BE INCLUDED IN THE BAGS
- THANK YOU AND BUSINESS MENTION DURING GENERAL SESSION

KEYNOTE ADDRESS - \$2,000

- COMES WITH “HOSTED BY” INFORMATION IN ALL PROGRAM BROCHURES AND ONLINE
- A 5-MINUTE FOR QUICK BUSINESS INTRO AND THE WELCOME KEYNOTE SPEAKER
- LOGO DISPLAYED DURING PRESENTATION

VENDOR SOCIAL SPONSORSHIP - \$1,000

- COMES WITH “HOSTED BY” INFORMATION IN ALL PROGRAM BROCHURES AND ONLINE
- COMPANY BANNER AND TABLE WILL BE FEATURED
- A 5-MINUTE COMPANY PRESENTATION AT THE SOCIAL EVENT





CONFERENCE SPONSORSHIP OPPORTUNITIES

2019 NRPS CONFERENCE



WELCOME SOCIAL - \$1,500

THIS YEAR'S WELCOME SOCIAL IS SURE TO BE THE HIGHEST ATTENDED EVER! THE SOCIAL IS A FUN-FILLED NIGHT LEARNING THE SPORT OF CURLING AT THE LAKE TAHOE ICE ARENA

- COMES WITH "HOSTED BY" INFORMATION IN ALL PROGRAM BROCHURES AND ONLINE
- A 5-MINUTE SPEAKING OPPORTUNITY TO INTRODUCE YOUR BUSINESS AND WELCOME THE CONFERENCE ATTENDEES

CLOSING SOCIAL - \$1,500

- AN EVENING ORGANIZED TO WIND DOWN, ENJOY VARIOUS INDOOR GAMES AND BELT OUT KARAOKE TUNES.
- COMES WITH "HOSTED BY" INFORMATION IN ALL PROGRAM BROCHURES AND ONLINE
- A 5-MINUTE SPEAKING OPPORTUNITY TO INTRODUCE YOUR BUSINESS AND SAY FAREWELL TO THE CONFERENCE ATTENDEES

SPEAKER ROOM SPONSORSHIP - \$750

- LOGO DISPLAYED IN ROOM THROUGHOUT THE ENTIRE CONFERENCE
- COMES WITH "HOSTED BY" INFORMATION IN ALL PROGRAM BROCHURES AND ONLINE
- THANK YOU AND BUSINESS MENTION DURING GENERAL SESSION

L.E.A.D SPONSORSHIP - \$750

- COMES WITH "HOSTED BY" INFORMATION IN ALL PROGRAM BROCHURES AND ONLINE
- A 5-MINUTE FOR QUICK BUSINESS INTRO AND TO WELCOME PARTICIPANTS TO L.E.A.D.
- LOGO DISPLAYED DURING PRESENTATIONS